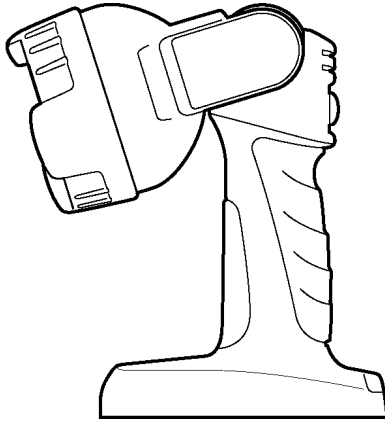


# Service Manual

## Flashlight



**EY3794-U1**  
**EY3795-U1**  
**EY3796-U1**

### SPECIFICATIONS

Model No.	EY3794	EY3795	EY3796
Bulb type	12V Xenon 0.7A	15.6V Xenon 0.7A	18V Xenon 0.6A
Size	270 X 91 X 90 mm	270 X 113 X 90 mm	270 X 133 X 95 mm
Weight	270g	275g	290g

#### **⚠ WARNING**

This service information is designed for experienced repair technicians only and is not designed for use by the general public. It does not contain warnings or cautions to advise non-technical individuals of potential dangers in attempting to service a product. Products powered by electricity should be serviced or repaired only by experienced professional technicians. Any attempt to service or repair the product or products dealt with in this service information by anyone else could result in serious injury or death.

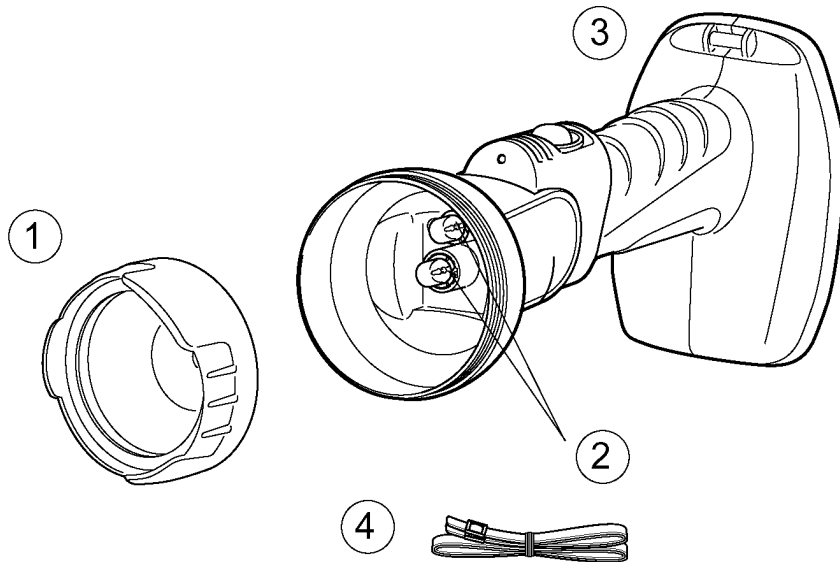
### CONTENTS

	Page	Page
1 EXPLODED VIEW .....	2	2 REPLACEMENT PARTS LIST .....
		2

**Panasonic®**

© 2005 Matsushita Electric Works Ltd. All rights reserved. Unauthorized copying and distribution is a violation of law.

# 1 EXPLODED VIEW



## 2 REPLACEMENT PARTS LIST

### NOTE:

\*B=only available as set

\*C=available individually

Ref.No.	Part No.	Part Name & Description	Remarks			Per Unit
1	WEY3794Y0548	HEAD LAMP COVER				1
2	WEY3794X7778	BULB	*B	EY3794 (12V 0.7A)		2
2	WEY3795X7778	BULB	*B	EY3795 (15.6V 0.7A)		2
2	WEY3796X7778	BULB	*B	EY3796 (18V 0.6A)		2
3	WEY3794K3038	BODY BLOCK		EY3794		1
3	WEY3795K3038	BODY BLOCK		EY3795		1
3	WEY3796K3038	BODY BLOCK		EY3796		1
4	WEY3794K0277	SHOULDER STRAP				1
-	WEY3794K8008	INDIVIDUAL BOX		EY3794		1
-	WEY3795K8008	INDIVIDUAL BOX		EY3795		1
-	WEY3796K8008	INDIVIDUAL BOX		EY3796		1
-	WEY3794K8108	OPERATING INSTRUCTIONS				1